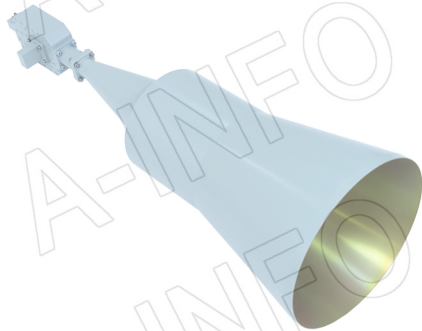


For reference only. See data sheet for the detailed specifications.

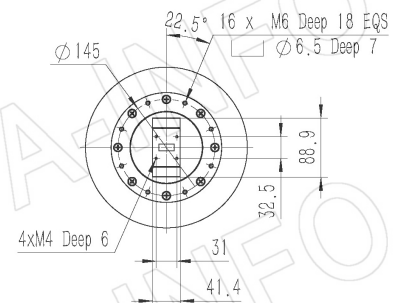
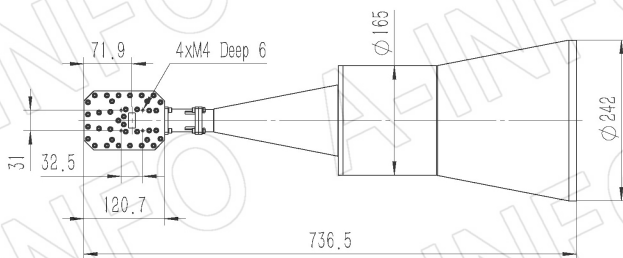
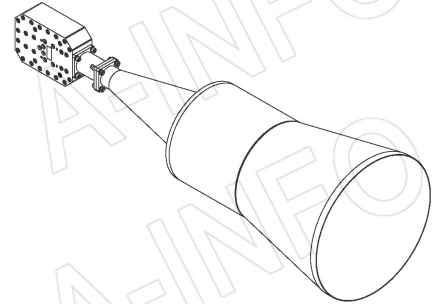
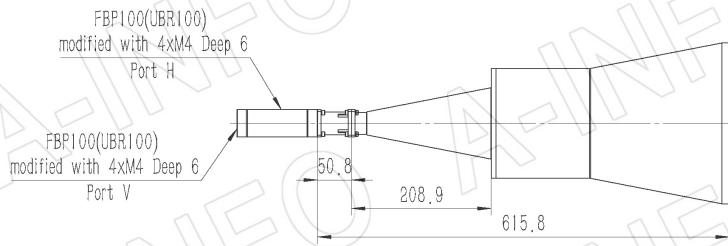
Technical Specification



Frequency Range(GHz)	8.2 – 12.4
Waveguide	WR90
Gain(dBi)	25 Typ.
Polarization	Dual Linear
3dB Beamwidth(deg)	E Plane: 8 Typ.
	H Plane: 9 Typ.
Cross Pol. Isolation(dB)	45 Typ.
Port to Port Isolation(dB)	60 Typ. ; 50 Min.
VSWR	A Type: 1.60:1 Max.
	C Type: 1.80:1 Max.
Output	A Type: FBP100(UBR100) (modified with 4xM4 D6)
	C Type: SMA-Female or N-Female or TNC-Female or 7mm or 3.5mm-Female
Material	Al
Finish	Silver Plated and Chemical Conversion Coating, Gray Paint
Size(mm)	A Type: 242 x 242 x 736.5
	C Type: 242 x 242 x 774.5
Net Weight(Kg)	A Type: 5.88 Around
	C Type: 5.98 Around

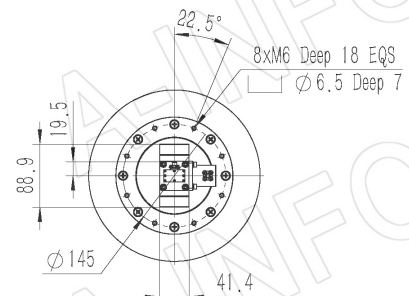
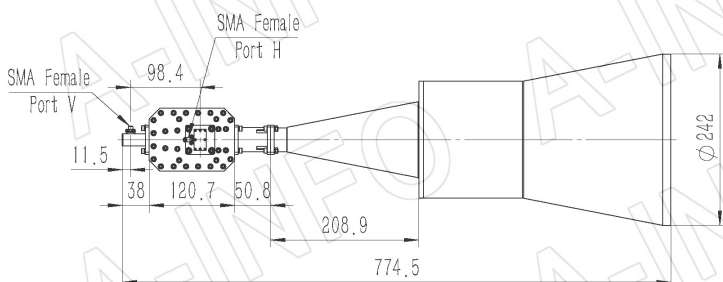
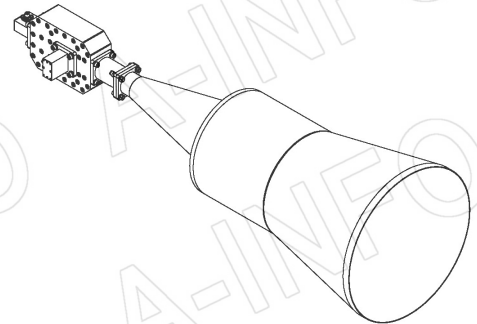
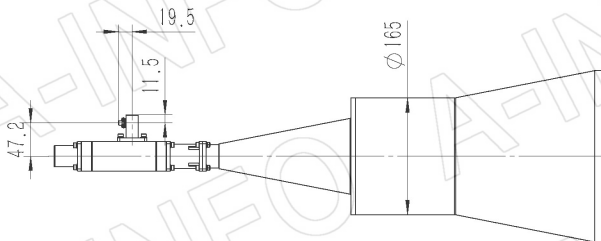
Outline Drawing (Size: mm)

FBP100 Output (P/N: LB-CNH-90-25-T02-A)



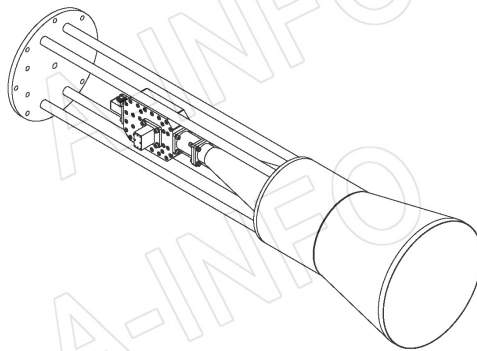
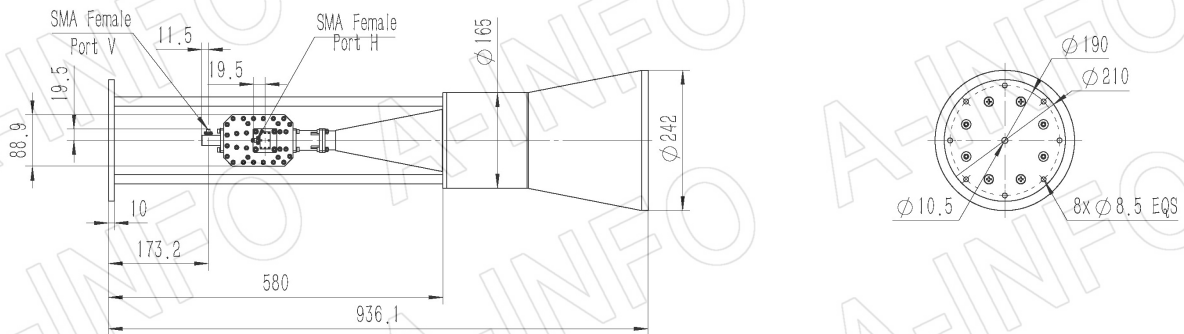
SMA-Female Output (P/N: LB-CNH-90-25-T02-C-SF)

For N-Female, TNC- Female, 7mm or 3.5mm-Female output outline drawing, please contact A-INFO.



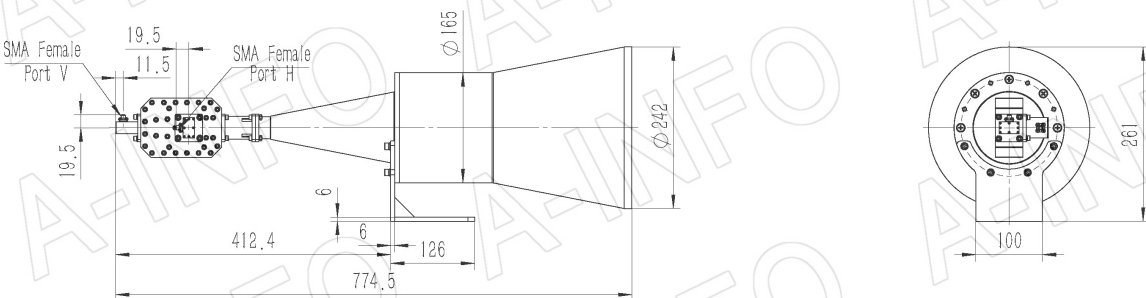
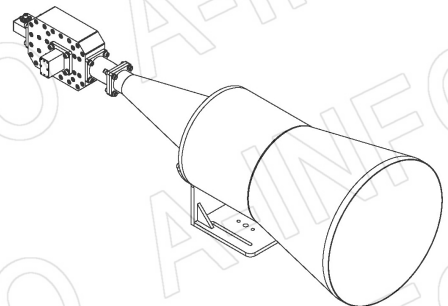
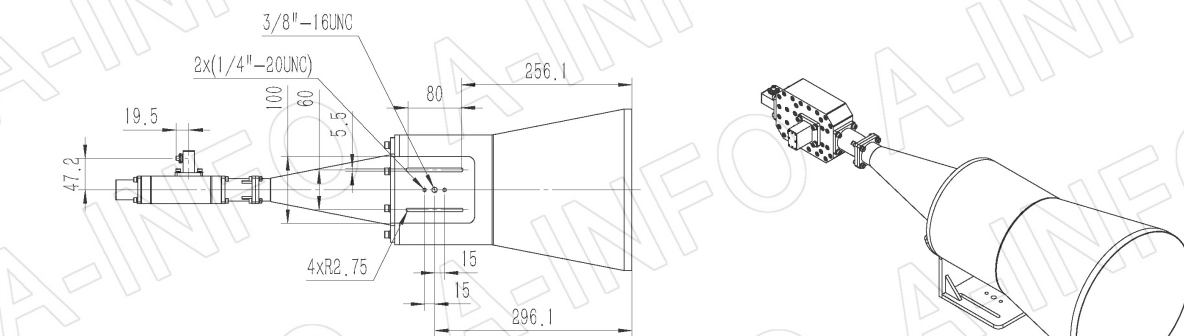
SMA-Female Output with Round Mounting Bracket (Option, P/N: LB-CNH-90-25-MB)

For N-Female, TNC- Female, 7mm or 3.5mm-Female output outline drawing, please contact A-INFO.

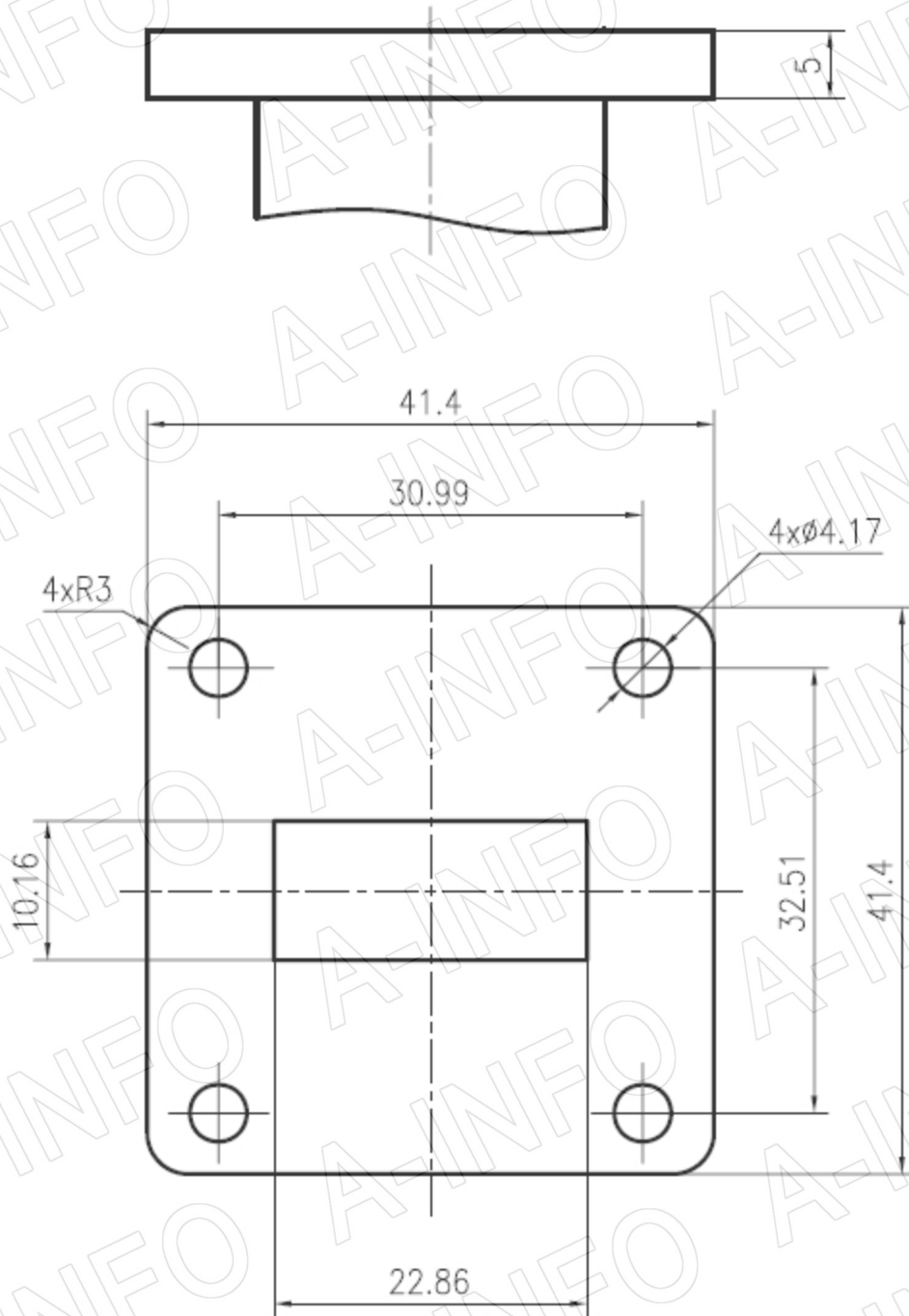


SMA-Female Output with L Type Mounting Bracket (Option, P/N: LB-CNH-90-25-L)

For N-Female, TNC- Female, 7mm or 3.5mm-Female output outline drawing, please contact A-INFO.



Flange Drawing (Size: mm)



FBP100

AINFO Inc.

China(Beijing): Tel: (+86) 10-6266-7326,
China(Chengdu): Tel: (+86) 28-8519-2786,
USA : Tel: (+1) 949-639-9688,

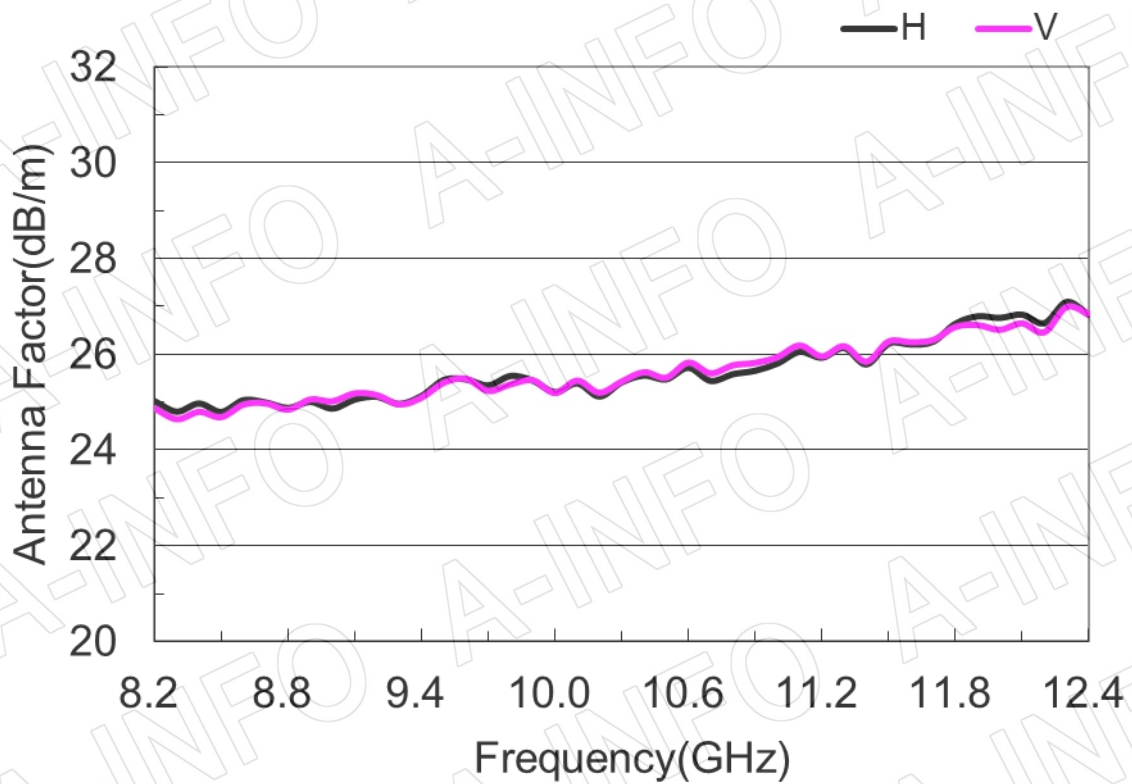
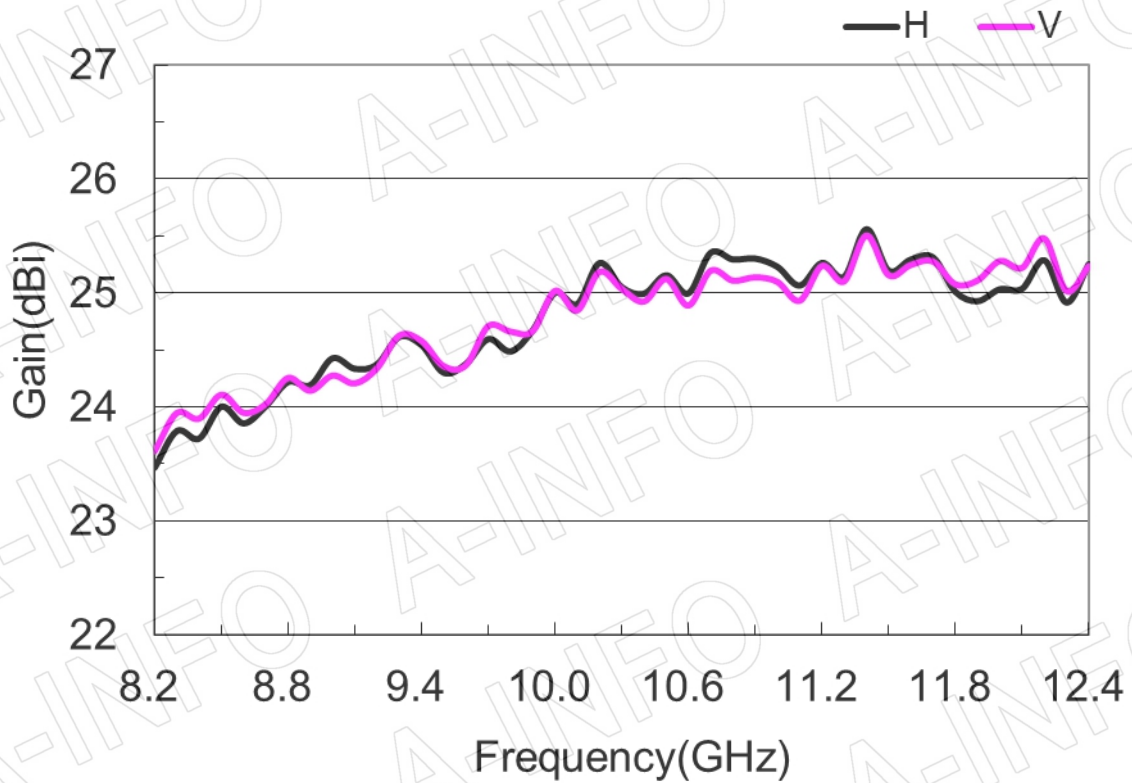
Page 4 of 15

(+86) 10-6266-7327 Fax: (+86) 10-6266-7379
(+86) 28-8519-3044 Fax: (+86) 28-8519-3068
(+1) 949-639-9608 Fax: (+1) 949-639-9670

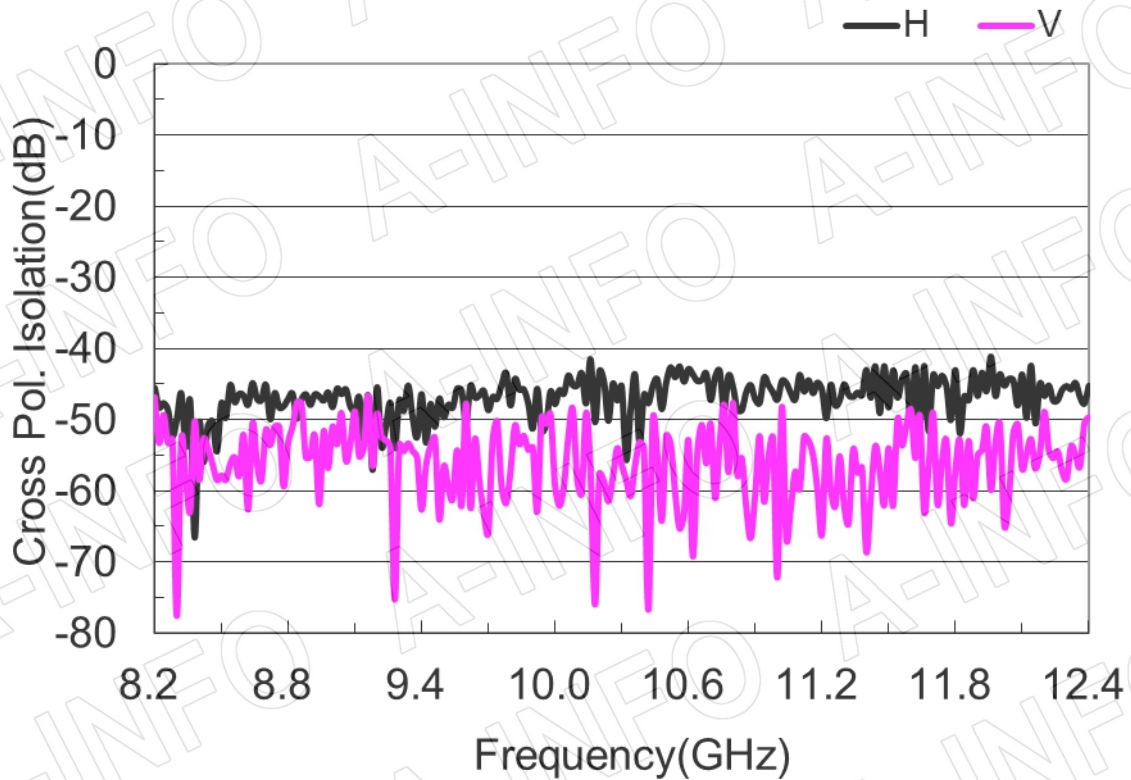
Website: www.ainfoinc.com
Email: sales@ainfoinc.com

Test Results

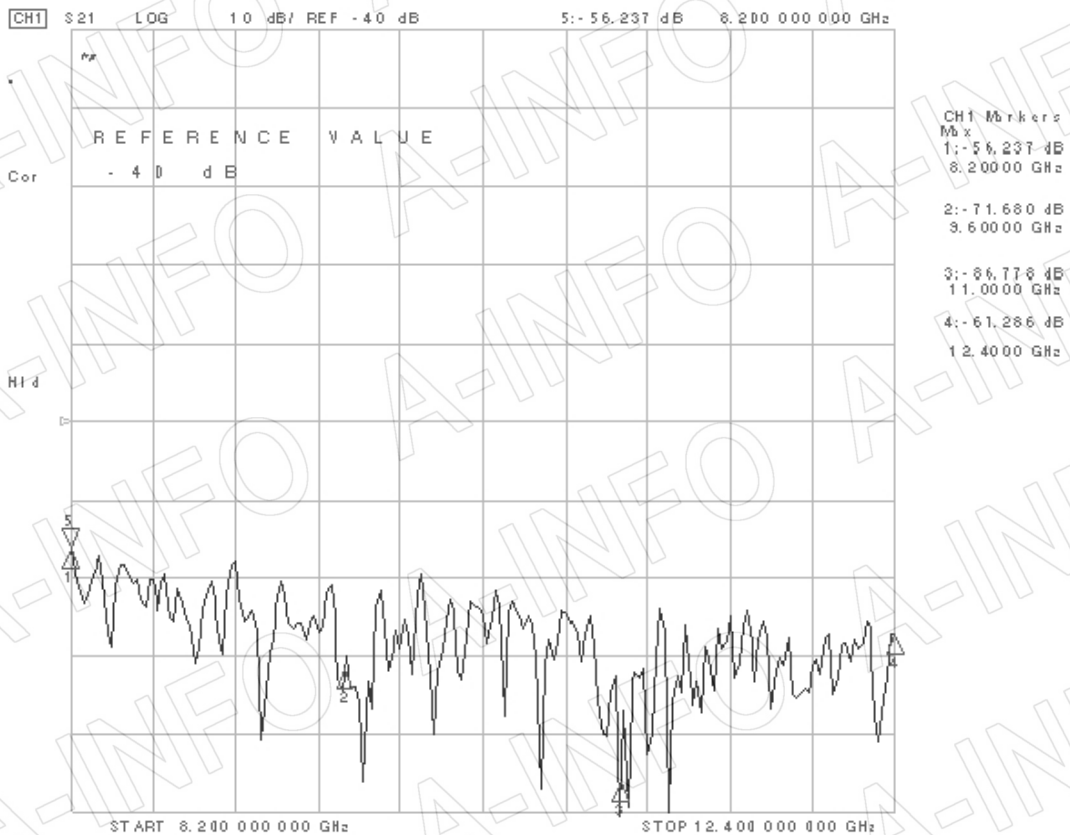
1. Gain & Antenna Factor



2. Cross Polarization Isolation

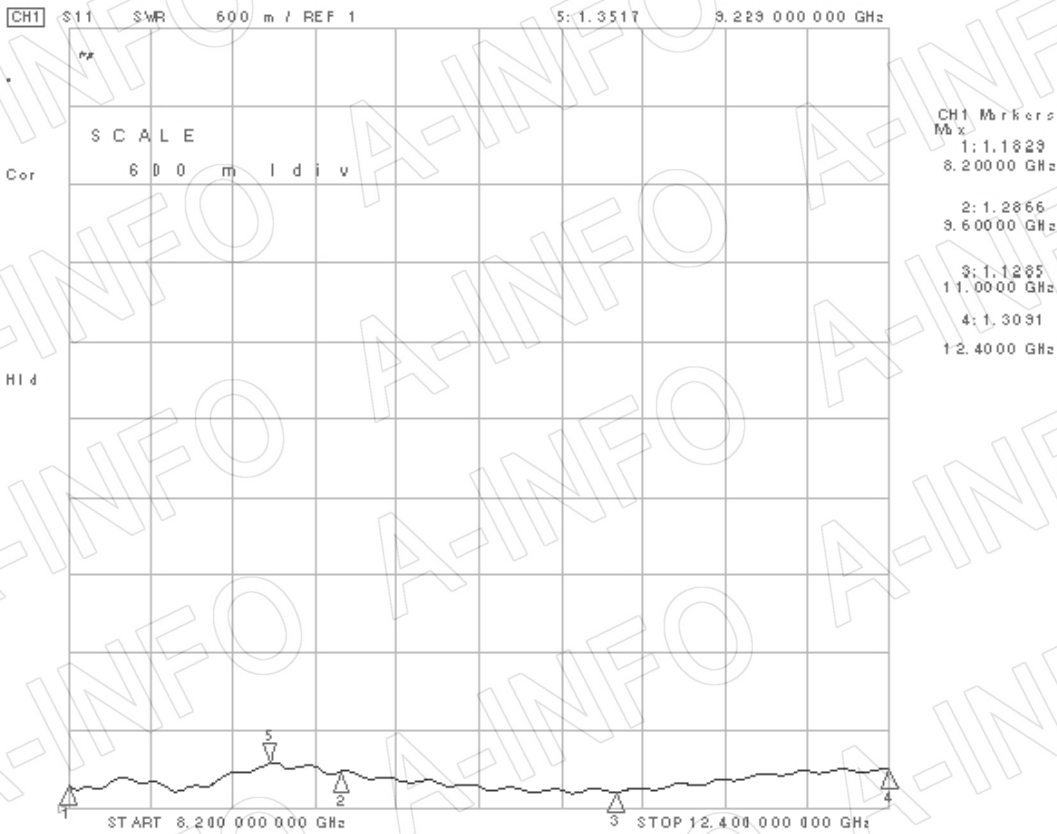


3. Port to Port Isolation

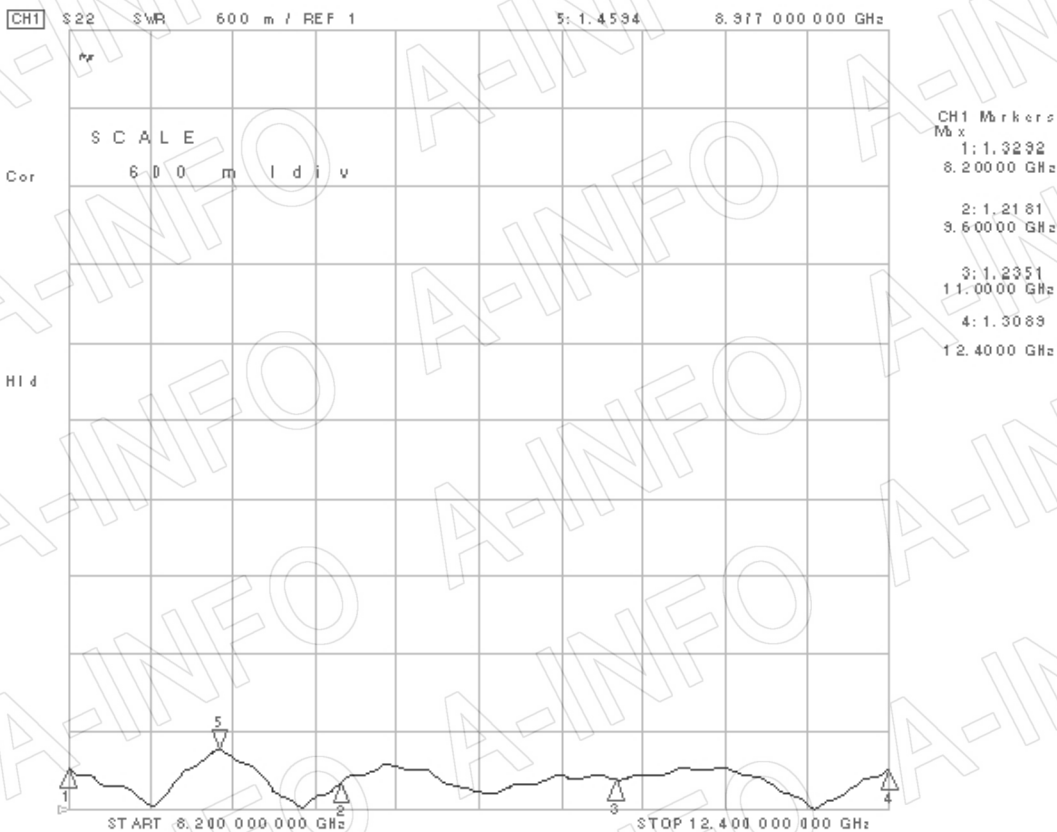


4. VSWR_A Type

Port-H

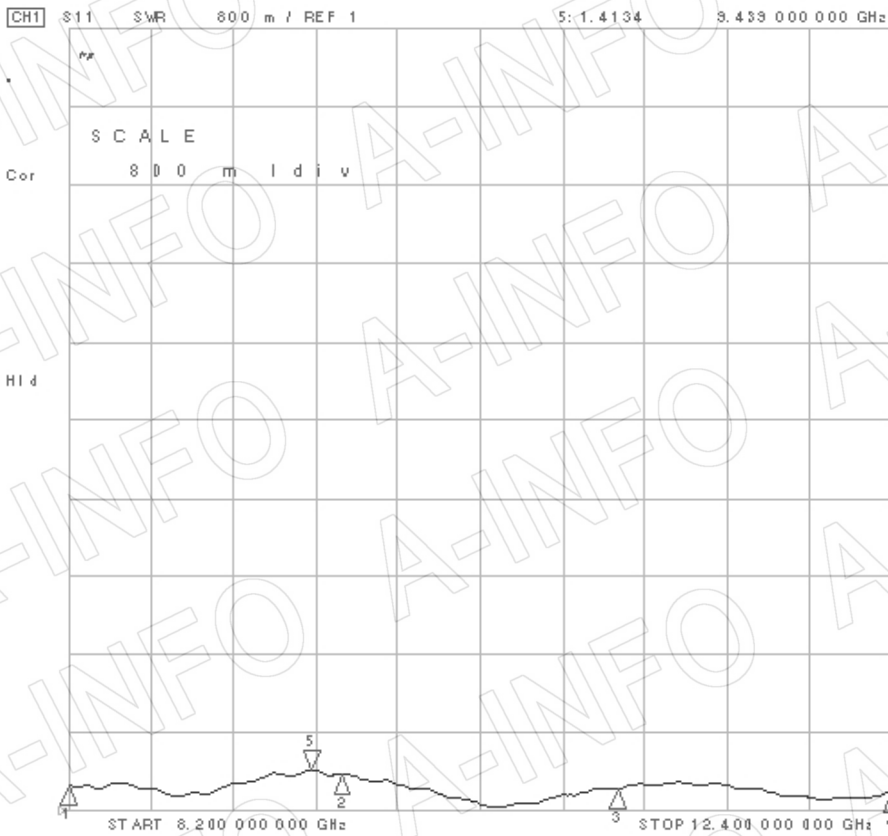


Port-V

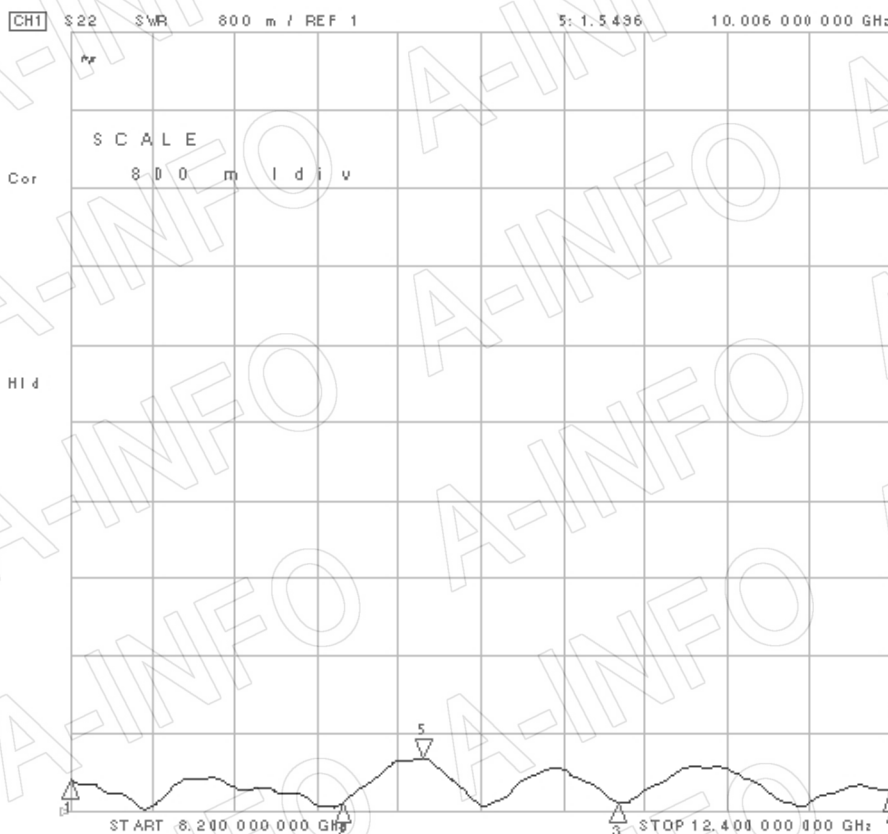


VSWR_C Type

Port-H

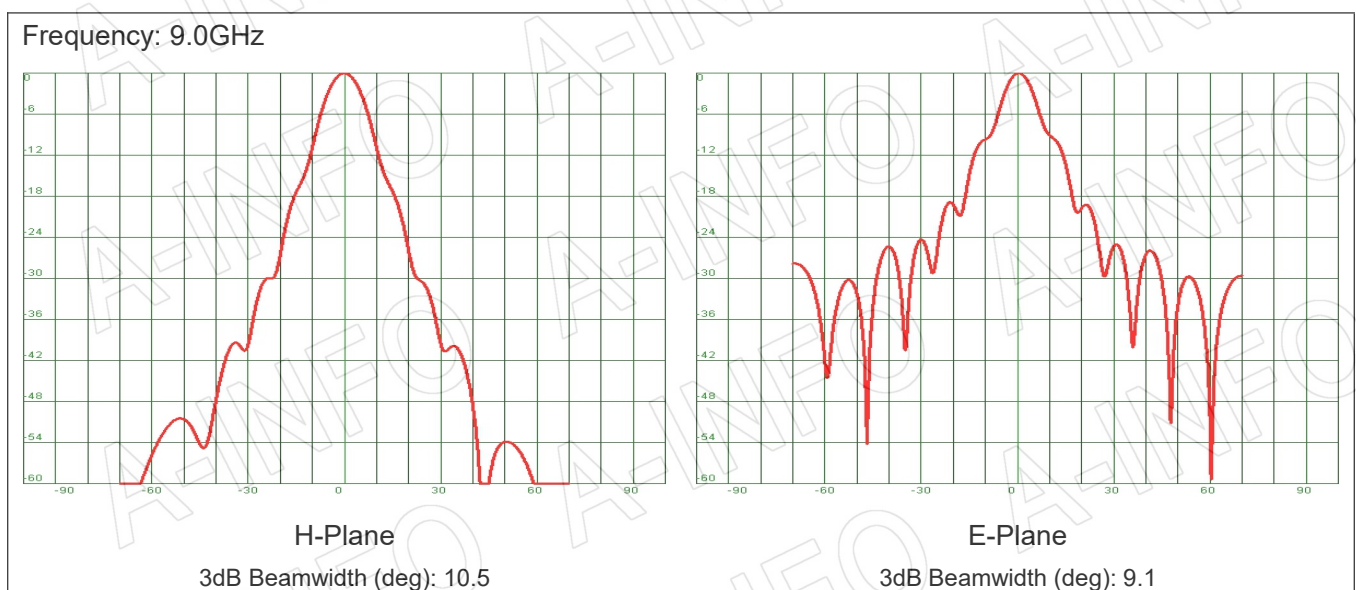
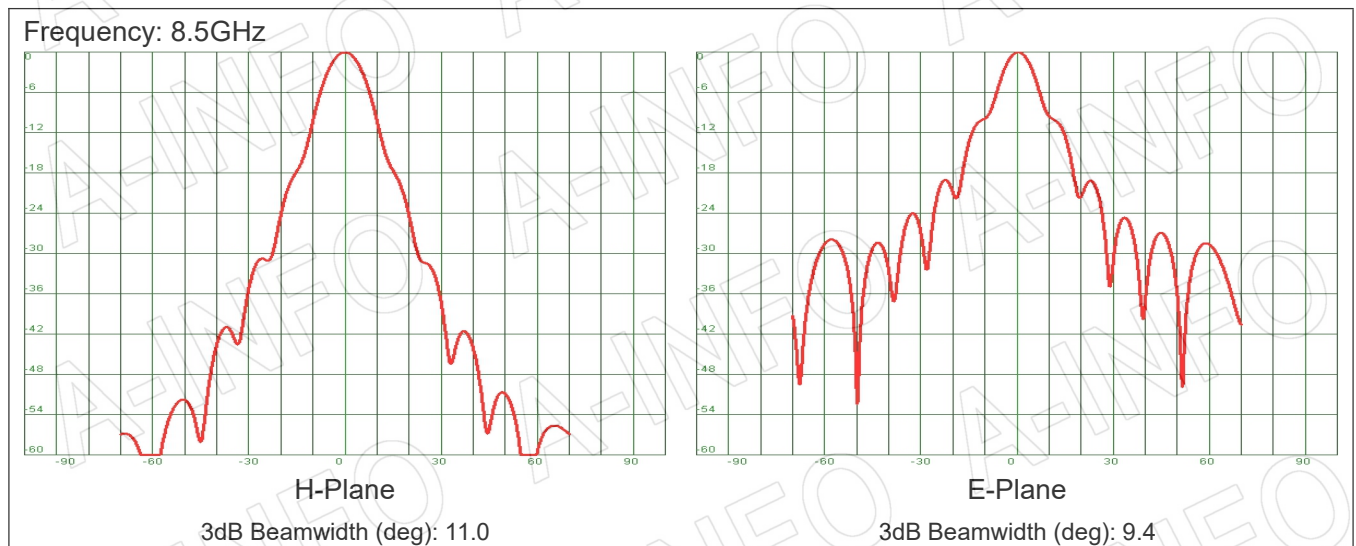
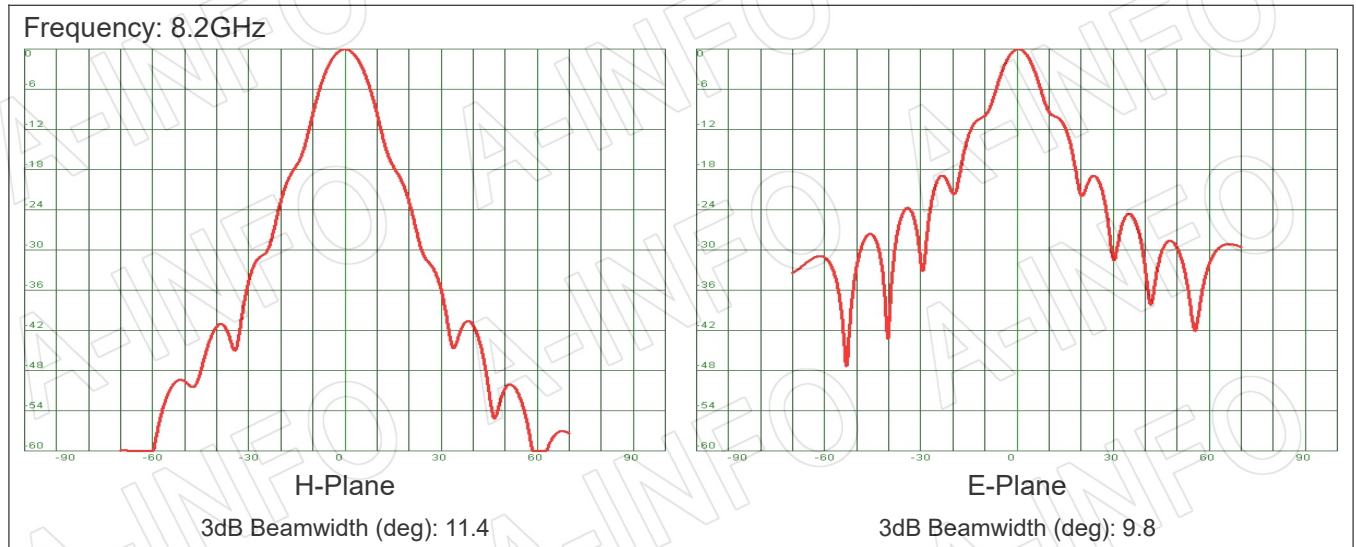


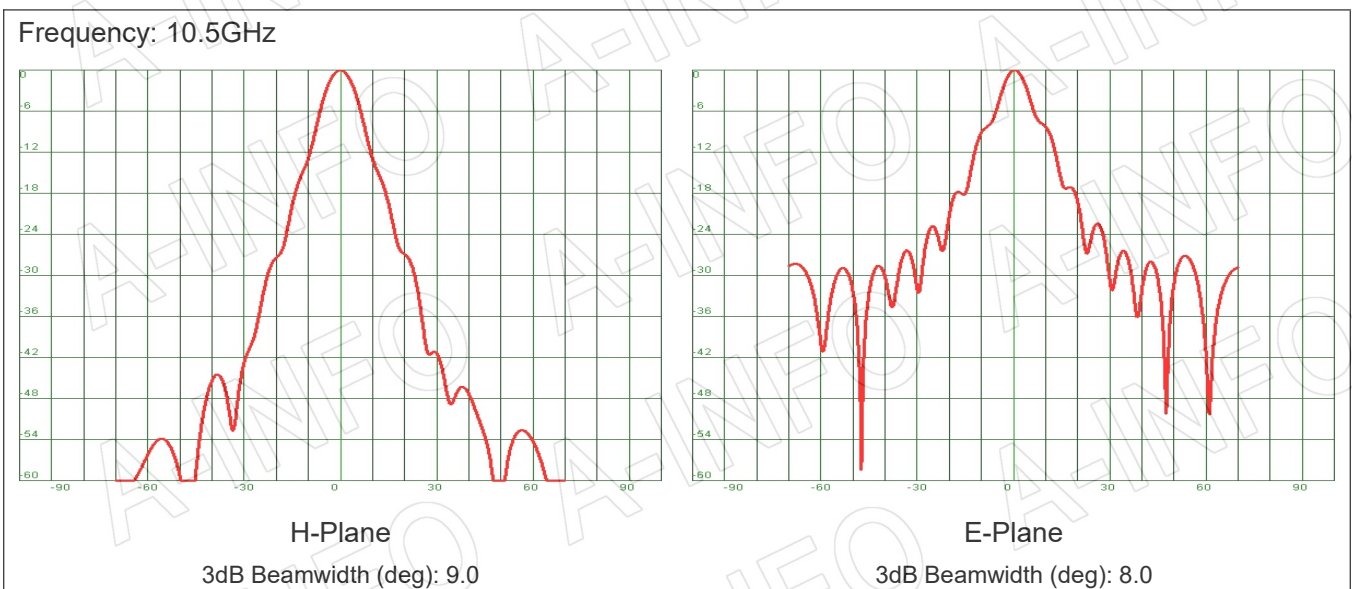
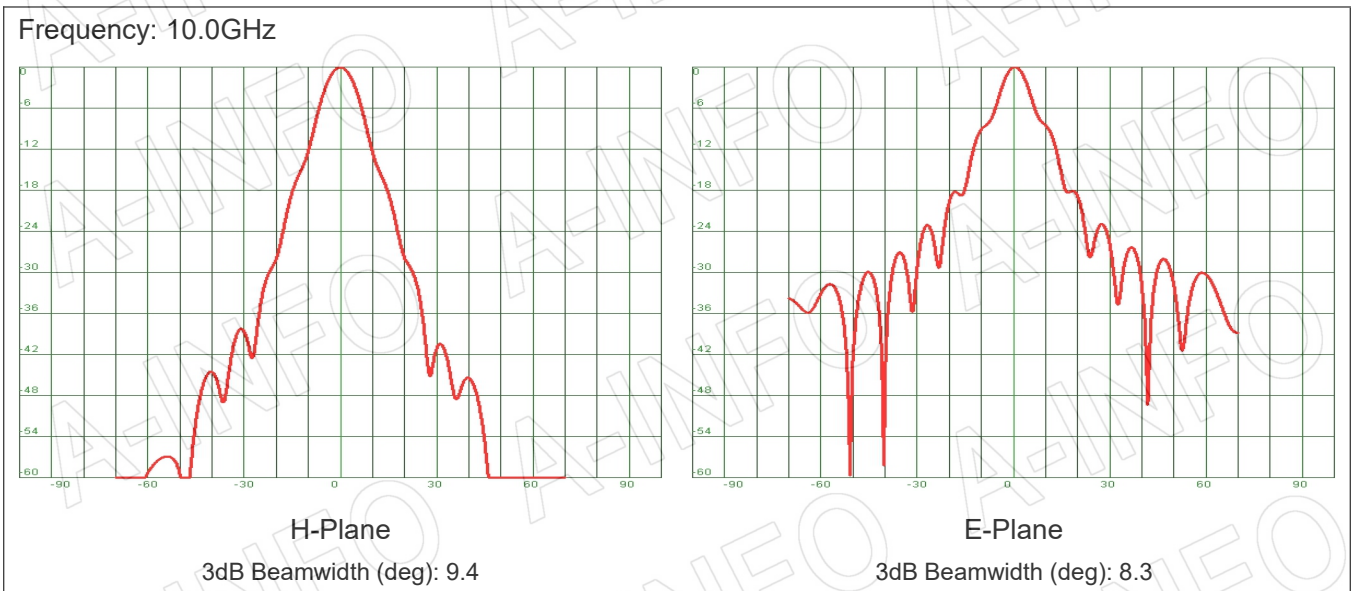
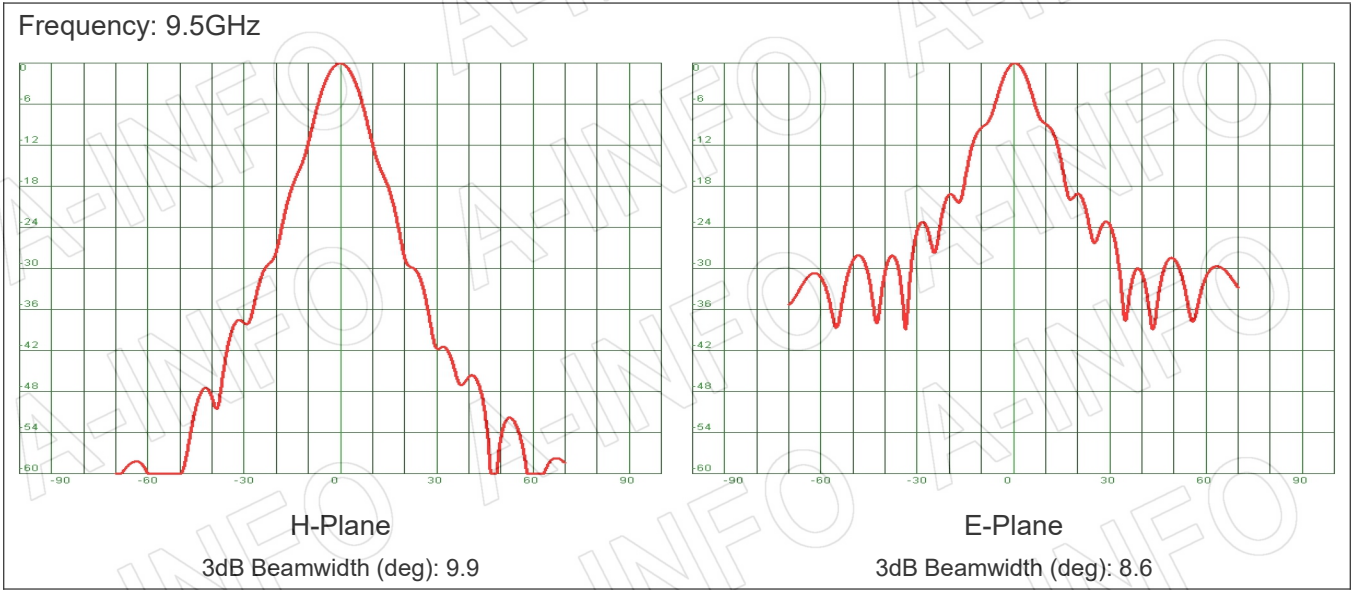
Port-V

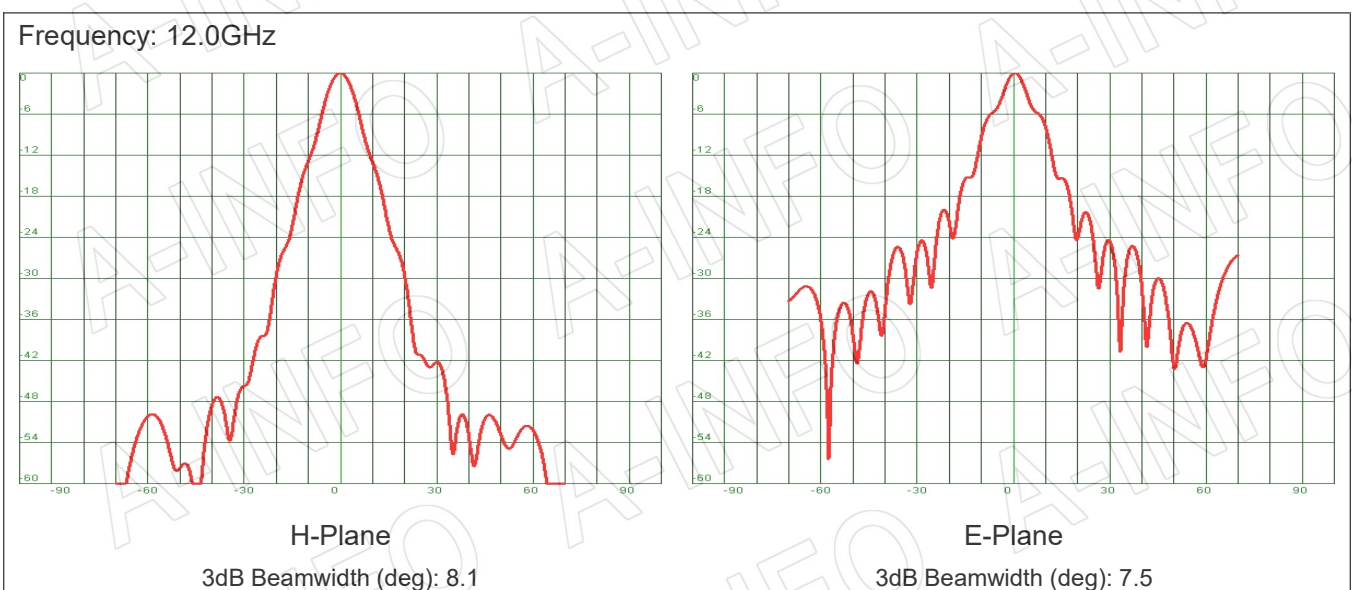
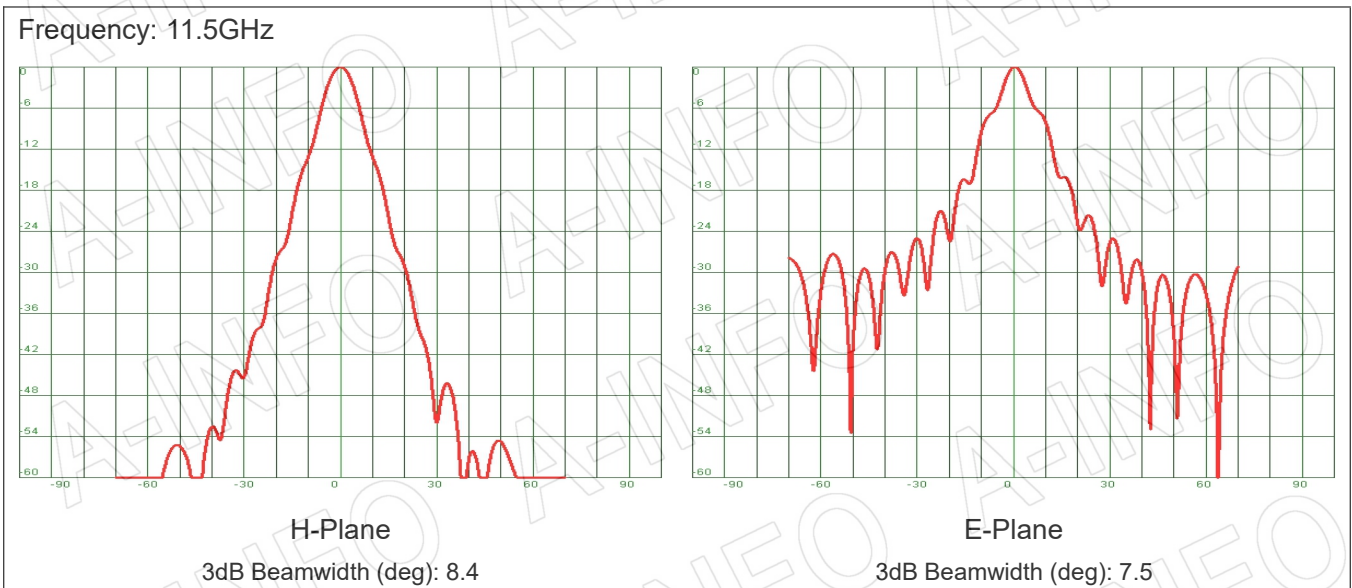
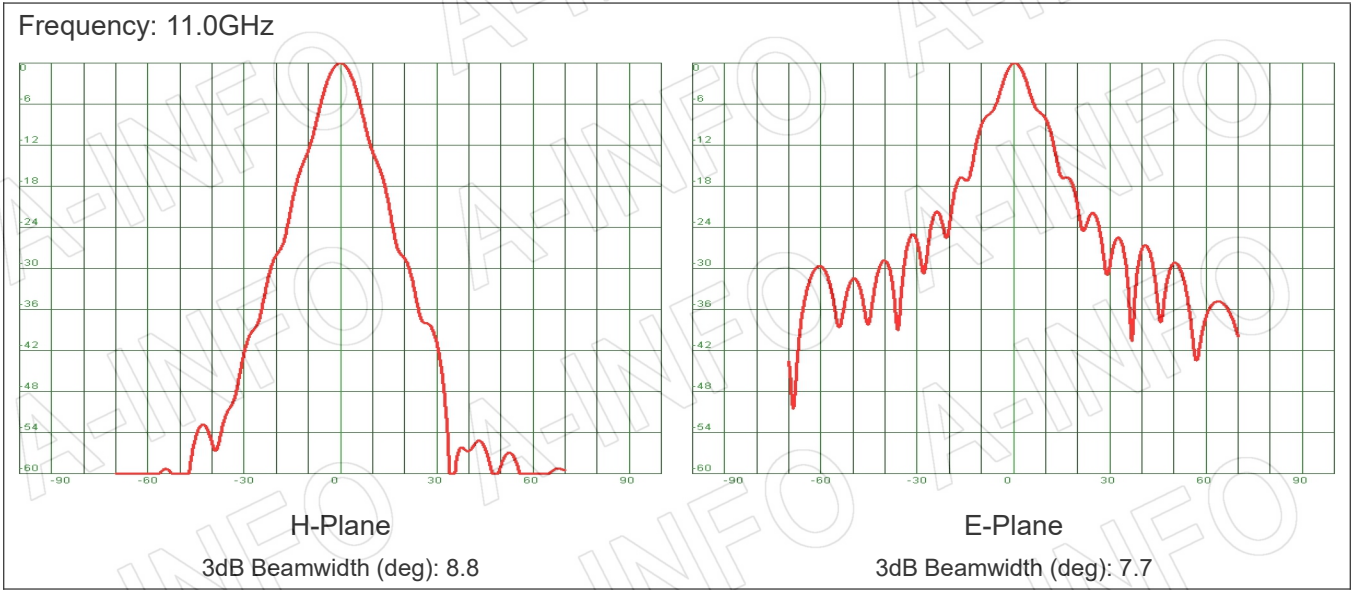


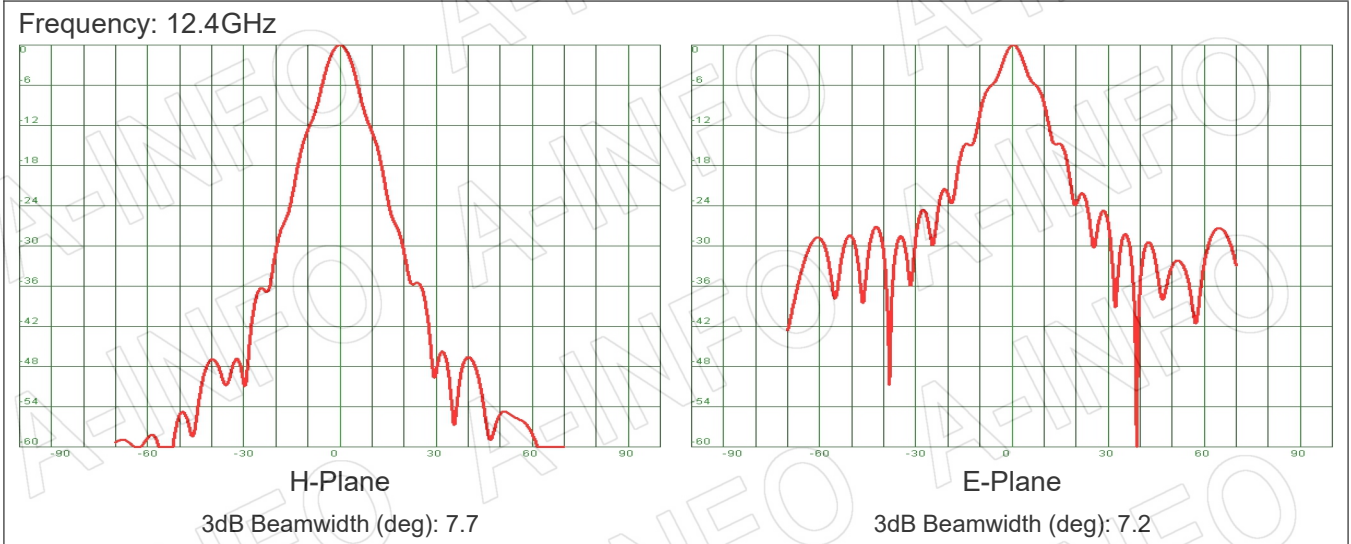
5. Pattern

Port-H









Port-V

